

Fume Hood Sidewall Velocity Sensor

P/N 800320

Installation Instructions

NOTE: This document serves as a guide for the installation of the 800320 Fume Hood Sidewall Velocity Sensor. Please read these instructions thoroughly before beginning installation.

For wiring or other Fume Hood Controller or Monitor setup information, refer to the installation instructions included with that equipment.

Included Parts

Description	Qty
Sidewall Velocity Sensor Assembly	1
Sidewall Velocity Sensor Cable - 6 ft	1
Mounting Plates	2
Mounting Screws (8-32 x 5/8")	4
Installation Instructions	1



Sidewall Velocity Sensor Installation

Determine If Vent Kit Is Required

The 800320 Sidewall Velocity Sensor must be referenced to room air in order to function properly. If the fume hood panels extend to the ceiling, a TSI Sensor Vent Kit must be installed (Figure 1). Contact TSI for Sensor Vent Kit information. If a vent kit is used follow the installation instructions included with that equipment.

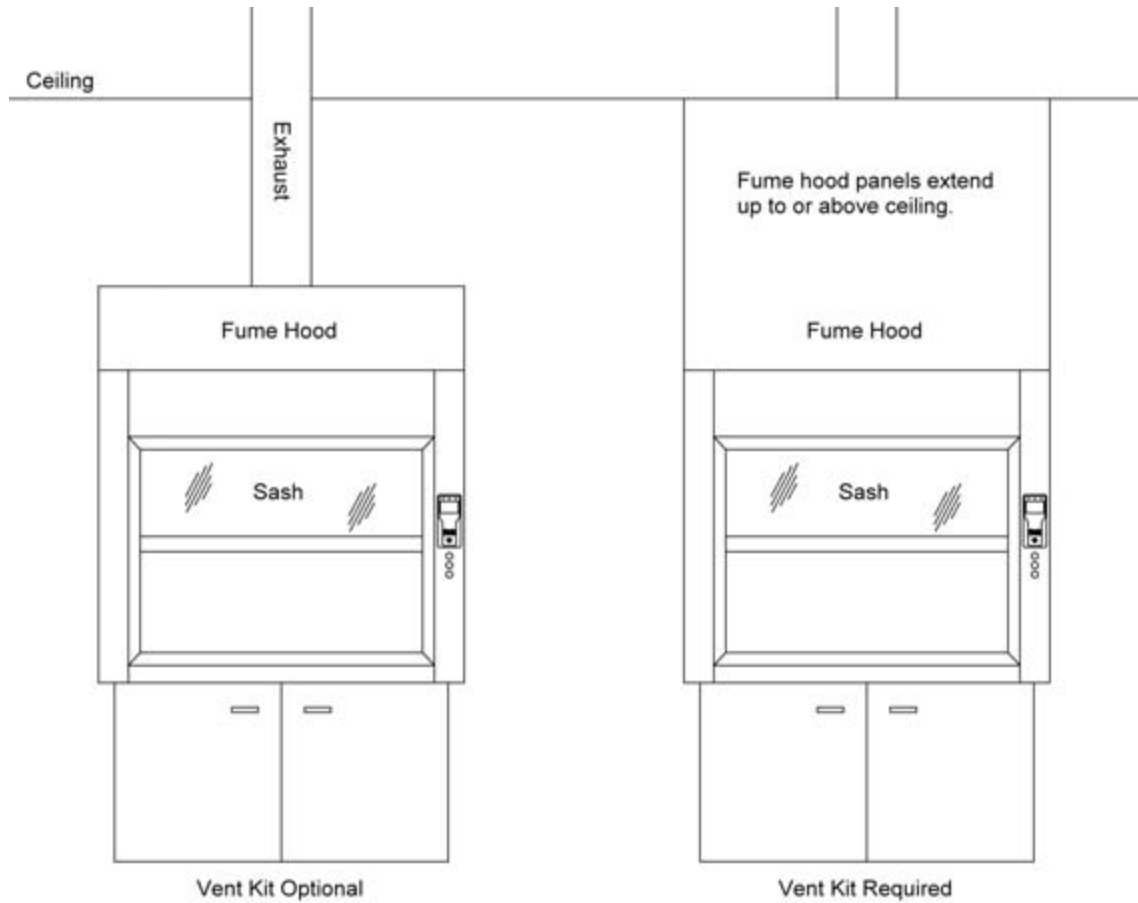


Figure 1: Check for Vent Kit Requirement

Sidewall Velocity Sensor Location and Mounting

NOTE: The Sidewall Velocity Sensor and the Controller or Monitor must be mounted on the same side of the fume hood.

The Sidewall Velocity Sensor is mounted to the inner wall lining of the fume hood.

1. Determine the Sidewall Velocity Sensor Location (Figure 2).
2. Drill a 2¼" hole through the fume hood inner wall lining at this location (Figure 2).

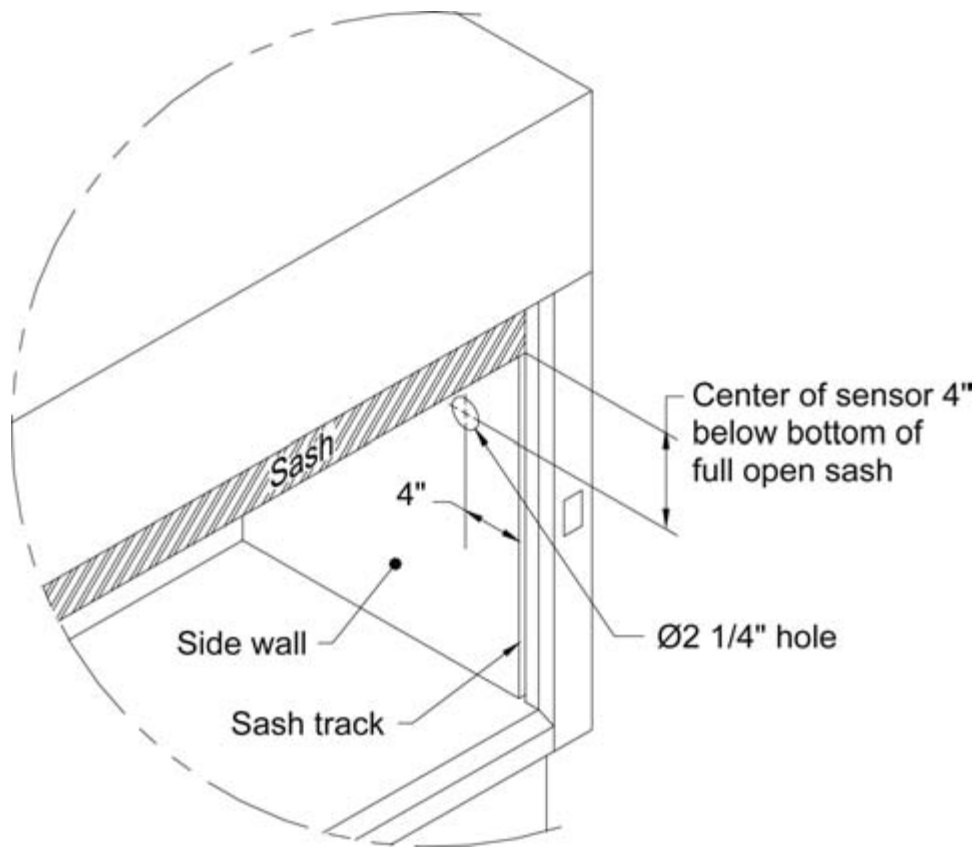


Figure 2: Sidewall Velocity Sensor Location

3. Install the Mounting Plates to the fume hood inner wall lining using two of the supplied screws (Figure 3).
4. The Mounting Plates must be installed exactly as shown (Figure 3).

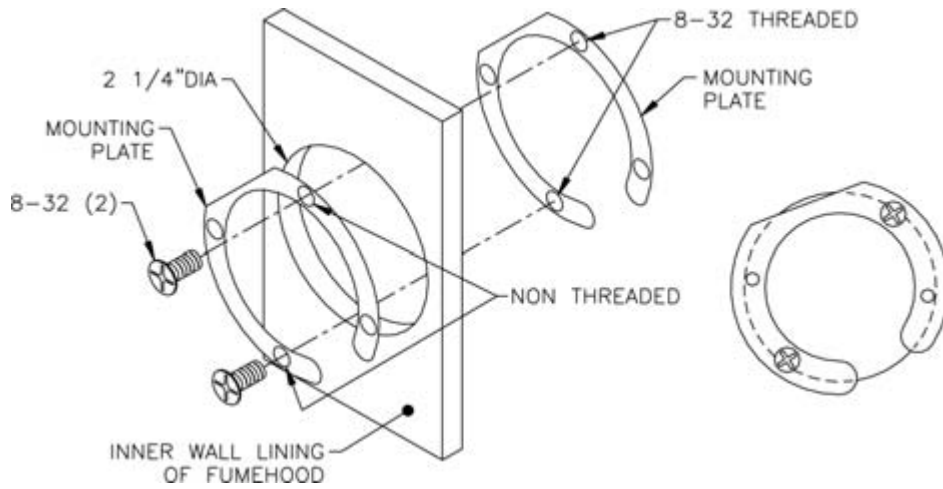


Figure 3: Install Mounting Plates

5. Plug the Sensor Cable into the Sidewall Velocity Sensor.
6. Thread the unconnected end of the Sensor Cable through the mounting hole location and over to the Controller or Monitor. Leave at least 8" of slack at the Controller or Monitor end to allow for connection to the Controller or Monitor and mounting adjustment. **DO NOT CUT SENSOR CABLE LENGTH.**
7. Mount the Sidewall Velocity Sensor to the Mounting Plate using the remaining two supplied screws (Figure 4).
8. The mounted Sidewall Velocity Sensor must be installed exactly as shown (Figure 4).
9. Plug the Sensor Cable into the Controller or Monitor when wiring the Controller or Monitor.

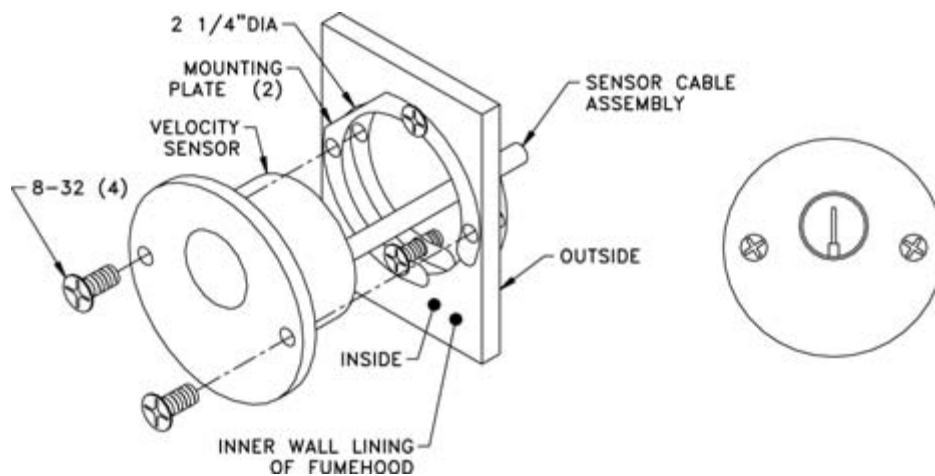


Figure 4: Final Sidewall Velocity Sensor Mounting

(This page intentionally left blank)

TSI Incorporated – 500 Cardigan Road, Shoreview, MN 55126 U.S.A

USA	Tel: +1 800 874 2811	E-mail: answers@tsi.com	Website: www.tsi.com
UK	Tel: +44 149 4 459200	E-mail: tsiuk@tsi.com	Website: www.tsiinc.co.uk
France	Tel: +33 491 11 87 64	E-mail: tsifrance@tsi.com	Website: www.tsiinc.fr
Germany	Tel: +49 241 523030	E-mail: tsigmbh@tsi.com	Website: www.tsiinc.de
India	Tel: +91 80 41132470	E-mail: tsi-india@tsi.com	
China	Tel: +86 10 8260 1595	E-mail: tsibeijing@tsi.com	
Singapore	Tel: +65 6595 6388	E-mail: tsi-singapore@tsi.com	



TRUST. SCIENCE. INNOVATION.

Contact your local TSI Distributor or visit our website www.tsi.com for more detailed specifications.