

Flush-Mount Bracket Kit for Models FHC50/FHM10

P/N 800926

Installation Instructions

NOTE: This document serves as a guide for the installation of the 800926 Flush-Mount Bracket for use with the Model FHC50 Fume Hood Controller or Model FHM10 Fume Hood Monitor. Please read these instructions thoroughly before beginning installation.

For wiring or other FHC50/FHM10 setup information, refer to the installation instructions included with that equipment.

If using a Sidewall Velocity Sensor, the Sidewall Velocity Sensor and the Controller or Monitor must mount on the same side of the fume hood.

Included Parts

Description	Qty
Flush-Mount Bezel	1
Mounting Template Sticker	1
Mounting Screws (6-32 x 1/2")	2
Grounding Clip	1
Installation Instructions	1



Flush-Mount Bracket Installation

1. Select the mounting location for the FHC50 Controller or FHM10 Monitor. The Controller or Monitor is typically mounted above the service controls (Figure 1).

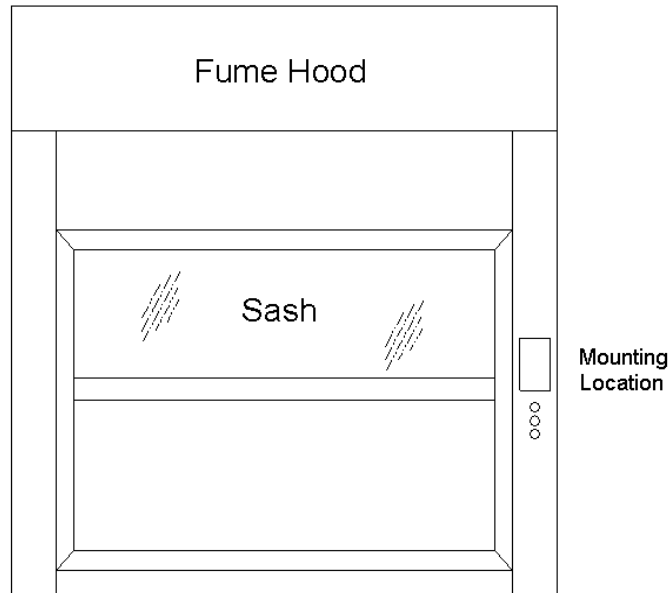


Figure 1: Mounting Location

2. Remove the Flush-Mount Template Sticker backing and apply sticker to the fume hood front panel in the desired mounting location, making sure the Template Sticker is level and centered in the desired location.
3. Following the instructions on the template (using a center punch to mark hole locations prior to drilling), drill the designated holes and cut an opening in the fume hood front panel (Figure 2).

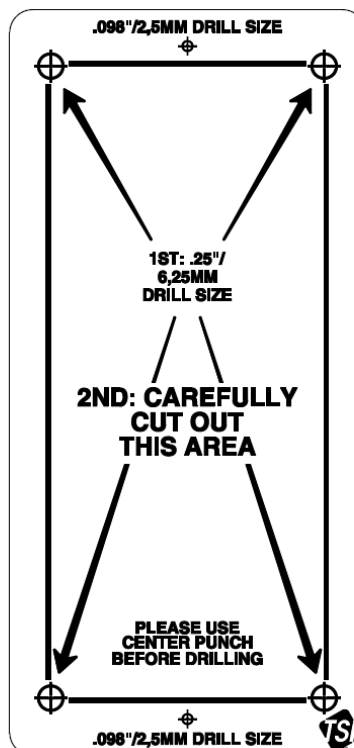


Figure 2: Flush-Mount Template Sticker

4. Verify that the Grounding Clip is attached to the Flush-Mount Bezel. Attach if needed (Figure 3).

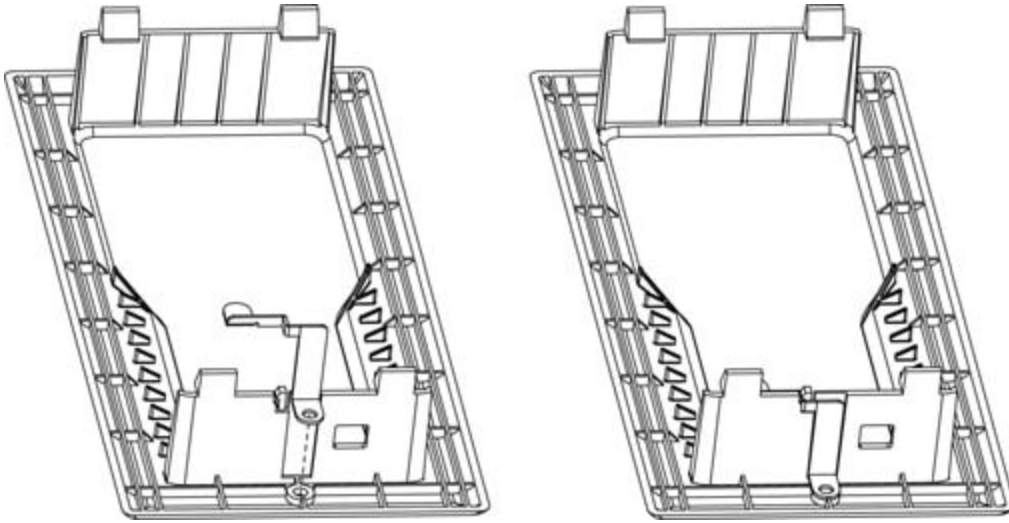


Figure 3: Grounding Clip and the Flush-Mount Bezel

5. Wire the Model FHC50 Controller or FHM10 Monitor according to the installation instructions included with that unit.
6. Attach the FHC50 or FHM10 to the Flush-Mount Bezel by first sliding in the bottom of the case and then pivoting until it snaps into place (Figure 4).

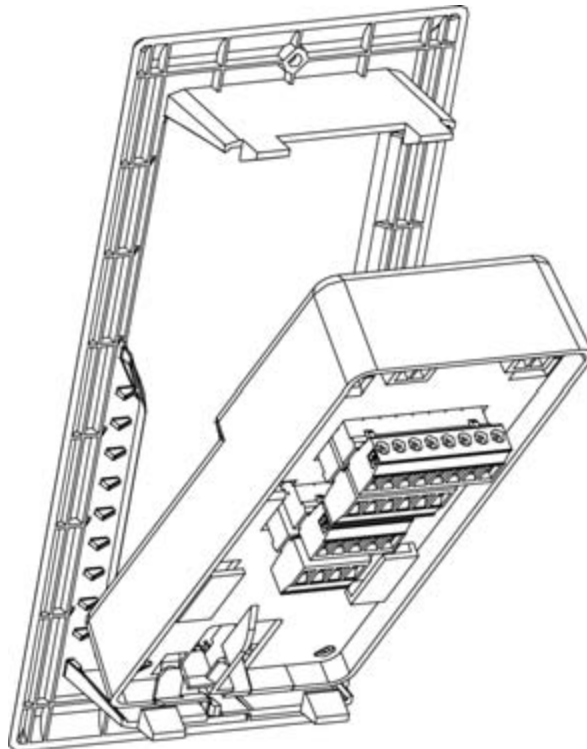


Figure 4: Attach FHC50 or FHM10 to the Flush-Mount Bezel

7. Insert the Flush-Mount Bezel and FHC50/FHM10 assembly into the cutout mounting location and secure with the provided screws. (Figure 5).

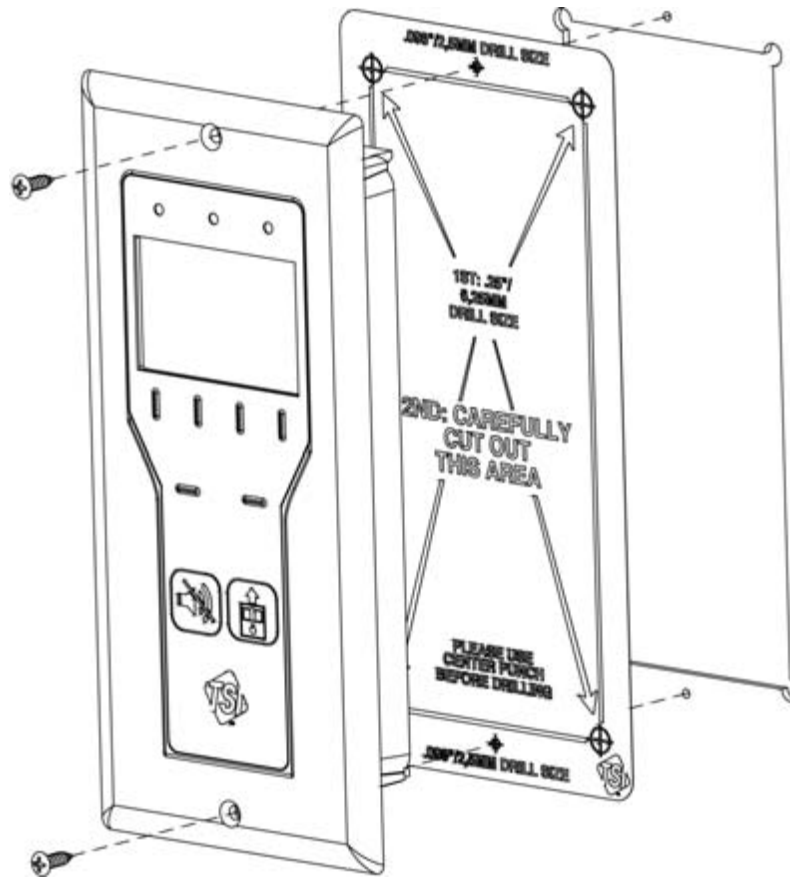


Figure 5: Final Mounting of Flush-Mount Assembly

TSI Incorporated – 500 Cardigan Road, Shoreview, MN 55126 U.S.A

USA Tel: +1 800 874 2811
 UK Tel: +44 149 4 459200
 France Tel: +33 491 11 87 64
 Germany Tel: +49 241 523030
 India Tel: +91 80 41132470
 China Tel: +86 10 8260 1595
 Singapore Tel: +65 6595 6388

E-mail: answers@tsi.com
 E-mail: tsiuk@tsi.com
 E-mail: tsifrance@tsi.com
 E-mail: tsigmbh@tsi.com
 E-mail: tsi-india@tsi.com
 E-mail: tsibeijing@tsi.com
 E-mail: tsi-singapore@tsi.com

Website: www.tsi.com
 Website: www.tsiinc.co.uk
 Website: www.tsiinc.fr
 Website: www.tsiinc.de



TRUST. SCIENCE. INNOVATION.

Contact your local TSI Distributor or visit our website www.tsi.com for more detailed specifications.